

TOMOE VALVE CO.,LTD.

Head Office

3-11-11 Shinmachi, Nishi-ku, Osaka 550-0013, Japan

Telephone:81-6-6110-2101/2102/2103

Telefax:81-6-6110-2105/2106

ref: SA-2203-004-00

To whom it may concern,

Changes on Size Range for Lever Operated Butterfly Valves: Model 846T / 847T

We would like to express our sincerest gratitude for your continuous support and hereby announce that the selection of the lever type drive unit of valve model 846T / 847T have been modified for improved operability.

Further details as follows.

1. Applicable model :
Fluororesin lining valves 846T-1T and 847T-1T

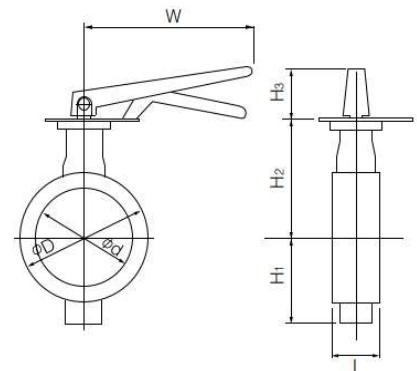
2. Detail of modification :
The selection will be adjusted for valve nominal diameters from 100 mm to 150 mm. In additional, the 200mm lever type drive unit will be discontinued. Please refer to the table below for more details.

846T/ 847T Actuator selection chart and dimension of lock lever type

(mm)

Nominal size		Current selection			New selection		
		Lever type	Dimension		Lever type	Dimension	
mm	inch		H3	W		H3	W
50	2	1T-1	66	200	1T-1	66	200
65	2 1/2						
80	3						
100	4	1T-2	92	300	1T-2	92 (+26)	300 (+100)
125	5						
150	6						
200	8	1T-3	97	350	Abolition		

50mm is 847T only.



3. Effective Date :
New orders received on/after Friday, 1st July 2022.

Please do not hesitate to contact our sales office for further queries or details.